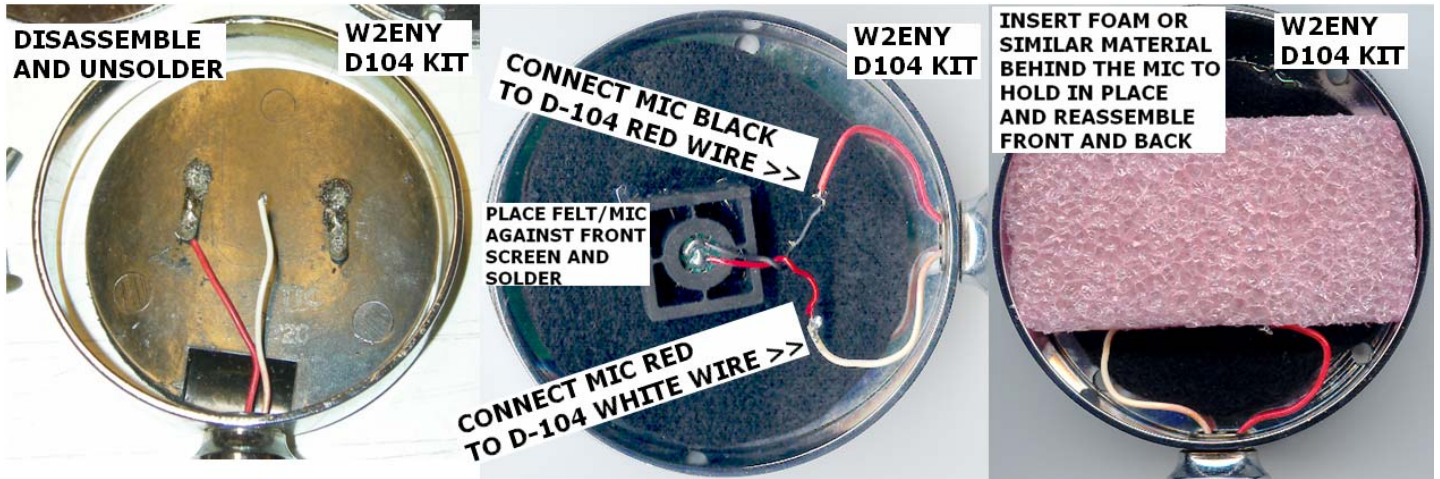


W2ENY HiFi MIC ELEMENT

Custom design upgrades the Astatic Silver Eagle

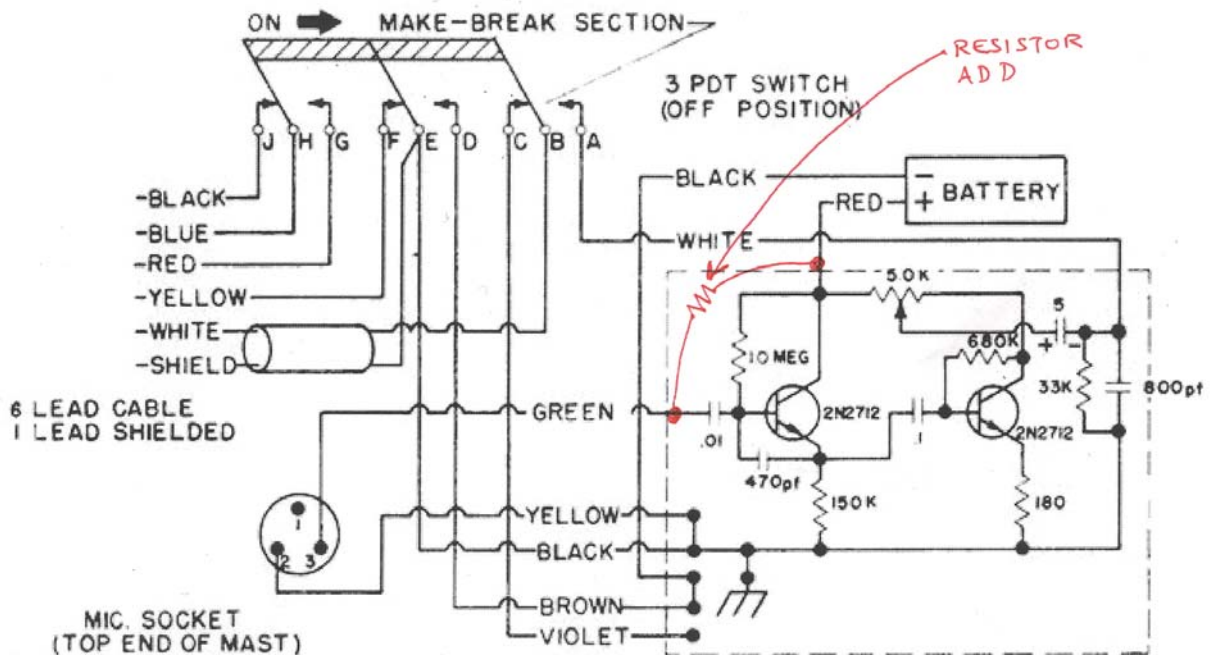
Mic head element install:

- Disassemble the microphone head
- Insert the felt and mic behind the front screen.
- Solder the leads from the neck to the mic.
- Insert foam padding behind, hold the element in place
- Reassemble the microphone head.



Wiring of the base

Schematic Diagram showing the resistor's placement



Bottom view showing the circuit board and the resistor's placement



Close up view of the same resistor's placement



For wiring to your radio, you can use the schematic from the previous page or use his color format (if stock wiring):

WHITE	MIC AUDIO
SHIELD	GROUND
BLUE	PTT COMMON
RED	PUSH TO TALK
BLACK	RECEIVE CONTROL
YELLOW	RECEIVE MUTE/GROUND