

MODEL AC-4

POWER SUPPLY

DESCRIPTION.

The R. L. Drake Model AC-4 Power Supply is suitable for use with all Drake 4-line transceivers and transmitters. It supplies all the required voltages with the proper filtering and regulation and may be operated from 120 or 240 Volts AC, 50 or 60 Hz.

INSTALLATION.

This unit was designed to fit inside the cover of Model MS-4 Matching Speaker or the Remote VFO unit. To mount it in either of these units, slide it in from the rear so that the line cord and power cable face outward and fasten it in place with the four studded rubber feet provided. Plug the female con-

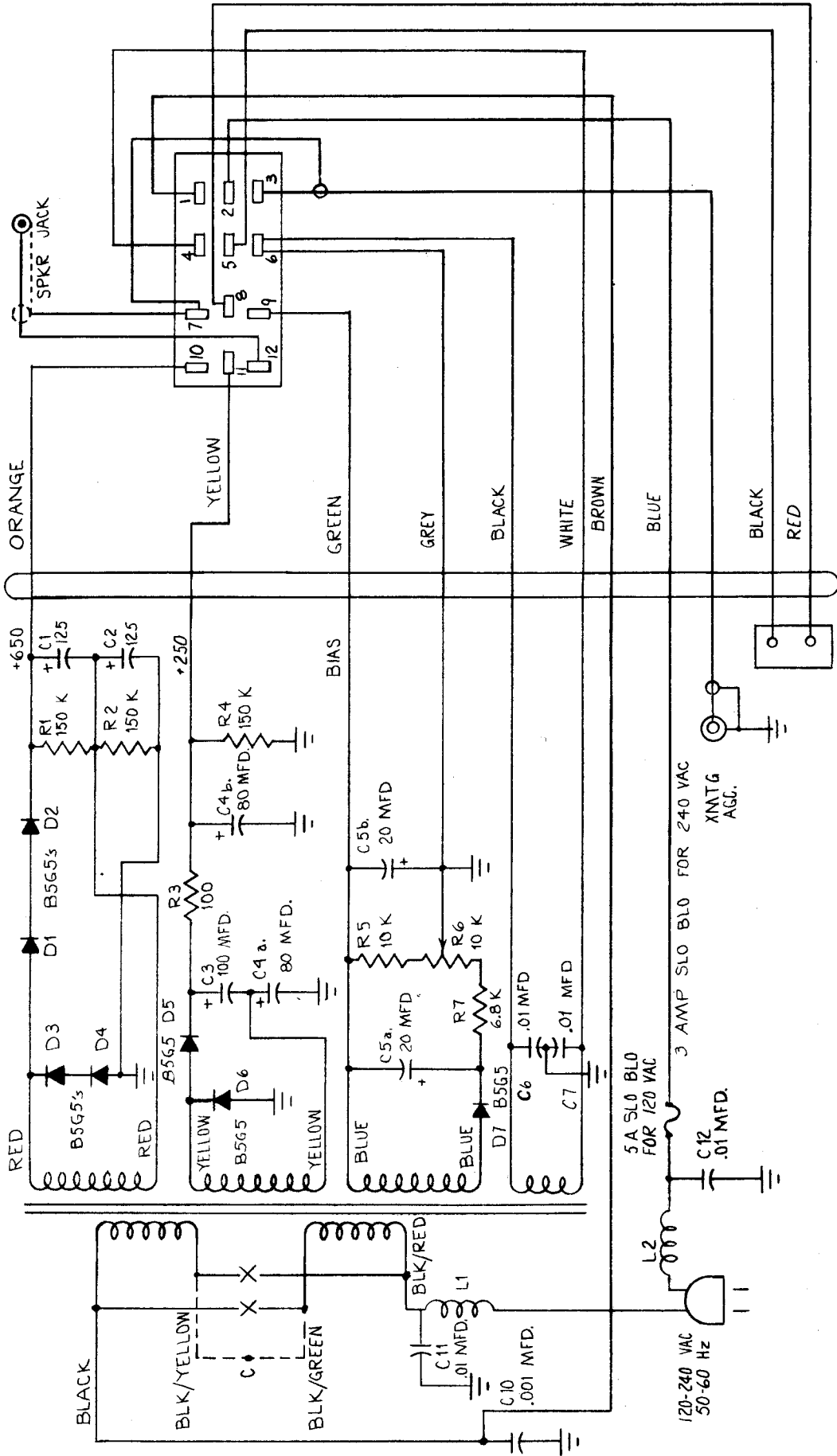
necter on the end of the power cable into the male connector on the rear of the Drake Transceiver or Transmitter. (Refer to the installation instructions for the equipment.) A 6 inch lead terminated in a female plug extends from the power connector for connecting the MS-4 Speaker when the AC-4 is used with the Drake TR-3 or TR-4 Transceiver. The bias adjustment should be set properly before operation. (Refer to the tuneup procedure in the Transceiver or Transmitter manual.)

CAUTION

DO NOT SHIP THE AC-4 MOUNTED INSIDE EITHER CABINET. SERIOUS DAMAGE TO THE CABINET MAY RESULT IN TRANSIT.

SPECIFICATIONS

Input:	120 or 240 Volts AC 50/60 Hz.
Output:	650 Volts DC at 300 mA average (500 mA peak). 250 Volts DC at 175 mA. -45 to -65 Volts DC adjustable bias into 33 K Ohms.
Size:	12.6 Volts AC at 5.5 Amperes. 5 inches High x 10 inches Wide x 4-3/4 inches Deep. (12.7 cm. High x 25.4 cm. Wide x 12 cm. Deep.)
Weight:	17 pounds, 2 ounces. (7.75 Kg.)



NOTE: FOR 240 VAC OPERATION DISCONNECT WIRES MARKED X AND CONNECT --- AN EXTRA TERMINAL IS PROVIDED FOR CONNECTION C.

AC-4 Power Supply Schematic